



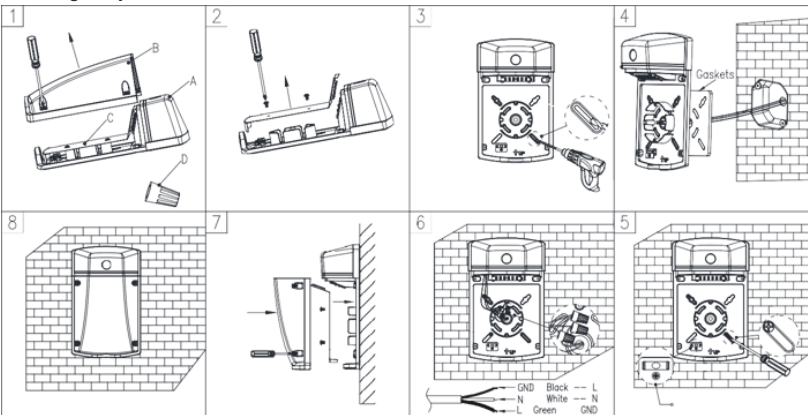
CE RoHS IP65

1. This lighting fixture works under condition of AC230V / 50Hz power input.
2. To prevent electric shock, turn off electricity at fuse box before installing the lighting fixture, adding or changing accessory.
3. Do not touch the lighting fixture when in use.
4. Do not cover the lighting fixture by any material at any time.
5. When installing or using this lighting fixture, basic safety precautions should always be followed.
6. Please refer to a qualified engineer if you have any questions by installation.
7. According to the EU Directive WEEE (Waste Electrical and Electronic Equipment) the luminaire must not disposed of via inserted waste. It must be sent to the respective local facility for disposal and/or the recycling of electronic products.

Daylight Sensor

Turn-ON light level: 50 Lux
Turn-OFF light level: 150 Lux

Mounting with junction box



Mounting with a 1/2" conduit at the top

