



<b>PRODUCT MATERIAL</b>	Die-casting aluminium
<b>LIGHT SOURCE</b>	Lumileds 3030
<b>MODULE LIFETIME</b>	Approx. 35.000 hours
<b>DRIVER</b>	Including mean well driver
<b>COLORS</b>	● 7 = RAL 9007 dark grey
<b>BEAM ANGLE</b>	▲ 120°
<b>SIZE</b>	149,8 X 241,7mm

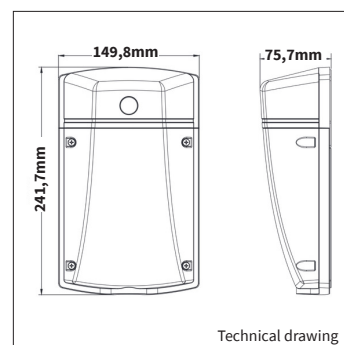
**INFORMATION**

<b>WARRANTY</b>	3 years
-----------------	---------

IK10 strong protection

Operation temperature: -20 ~ -50°C

Including daylight sensor: Turn on light level 50 Lux  
Turn off light level > 150 Lux



ART.NR.	LAMP TYPE	BRAND	LUMINOUS FLUX	OUTPUT POWER	MODULE EFFICIENCY	COLOUR TEMPERATURE	CRI	TC LIFETIME
2667	3030	Lumileds	2100lm	20W	105lm/W	4000K	>80	35.000 Hrs