



PRODUCT MATERIAL	Aluminium body
LIGHT SOURCE	CXA
MODULE LIFETIME	Approx. 30.000 hours
COLORS	● 8 = Stainless steel
BEAM ANGLE	▲ 55°
SIZE	Ø123 X 158mm

INFORMATION

WARRANTY 2 Years

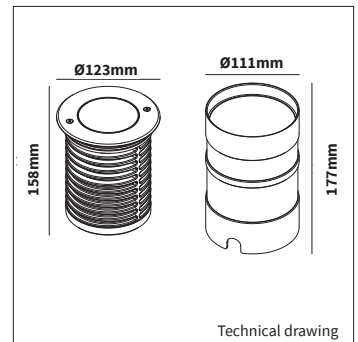
Tempered glass standard

Including 1,5m cable

Stainless steel ring (316)

IK 10

230V is including driver



ART.NR.	LAMP TYPE	BRAND	LUMINOUS FLUX	OUTPUT POWER	MODULE EFFICIENCY	COLOUR TEMPERATURE	CRI	BEAM ANGLE	TC LIFETIME	mA
2781	LED	Cree	1450lm	18W	81lm/W	2700K	>80	55°	30.000 Hrs	500mA